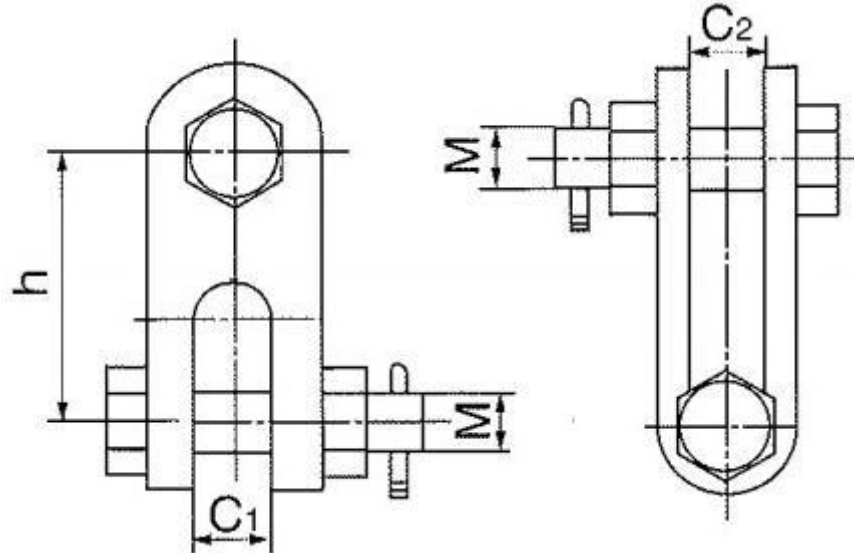


Overview

Clevis are mainly used in overhead power lines or substations to connect wires and lightning protection clamps with insulators or connect insulators and lightning protection clamps with poles and towers. According to different installation conditions, special connection fittings refer to the ball joints connected to the insulators. Hanging ring and bowl head hanging board.

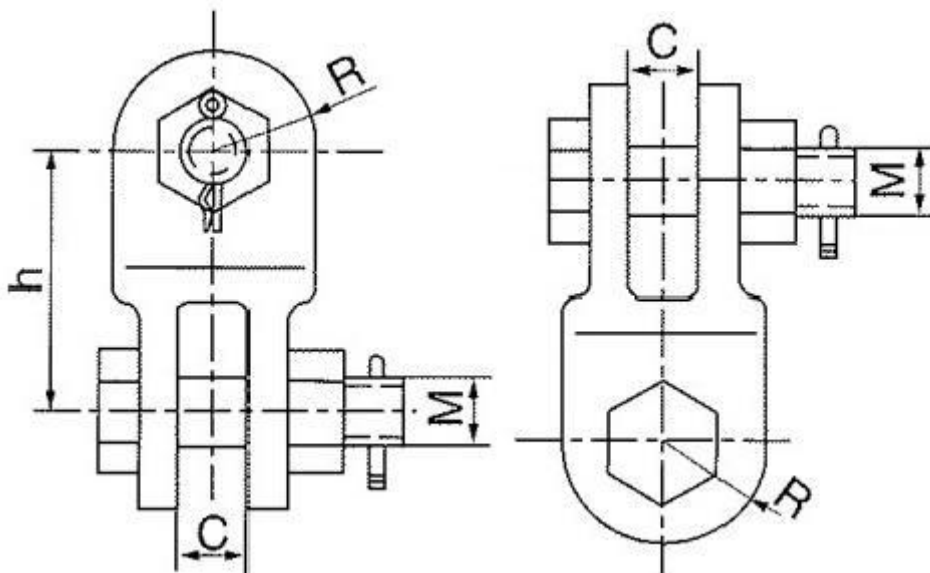
Clevises (Type Z)

The color pin is stainless steel, the other parts are hot-dip galvanized steel.



Catalog No.	Dimensions(mm)				Rated Failure Load (kN)	Weight(kg)
	C1	C2	M	h		
Z-7	18	18	16	60	70	0.6
Z-7B	20	18	16	80	70	0.7
Z-10	20	20	18	70	100	0.8
Z-10B	20	20	18	80	100	0.9
Z-12	24	24	22	80	120	1.3
Z-16	26	26	24	90	160	2.5
Z-16C1	26	26	24	140	160	3.2
Z-16C2	26	26	24	170	160	3.8
Z-20	30	30	27	120	160	3.5
Z-25	34	34	30	110	250	3.8

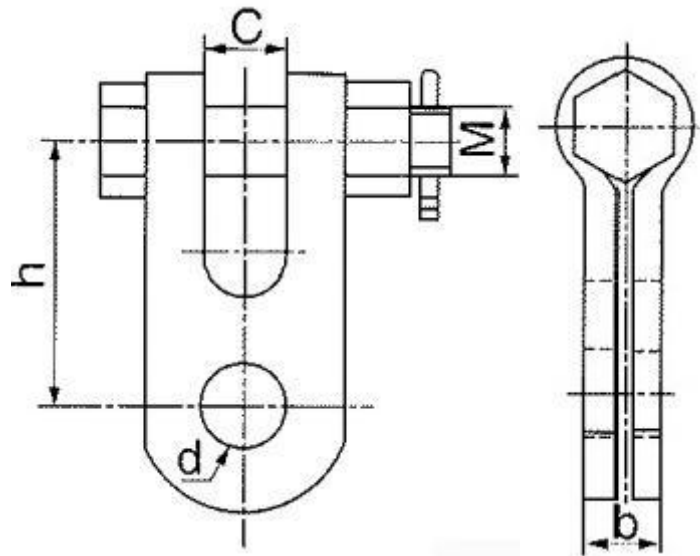
The cotter pin is stainless steel, the other parts are hot-dip galvanized steel.



Catalog No.	Dimensions(mm)				Rated Failure Load (kN)	Weight(kg)
	C	R	M	h		
Zj-25	34	40	30	100	250	2.8
Z-30	38	46	36	135	300	5.4
Z-40	42	50	36	150	400	8.6
Z-60	50	62	48	180	600	19.6

Clevis Tongues (Type ZS)

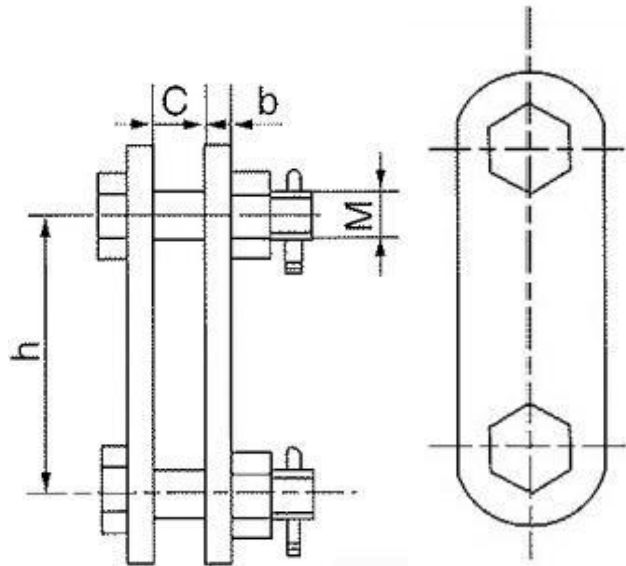
The Colerain is stainless steel, the other parts are hot-dip galvanized steel.



Catalog No.	Dimensions(mm)					Rated Failure Load(kN)	Weight(kg)
	C	b	M	d	h		
ZS-7	18	16	16	20	60	70	0.6
ZS-10	20	18	18	20	70	100	0.9
ZS-16	26	26	24	26	90	160	1.9
ZS-30	38	34	36	39	150	300	5.4
ZS-665	20	22	16	20	65	70	0.7

Double Straps (Type P)

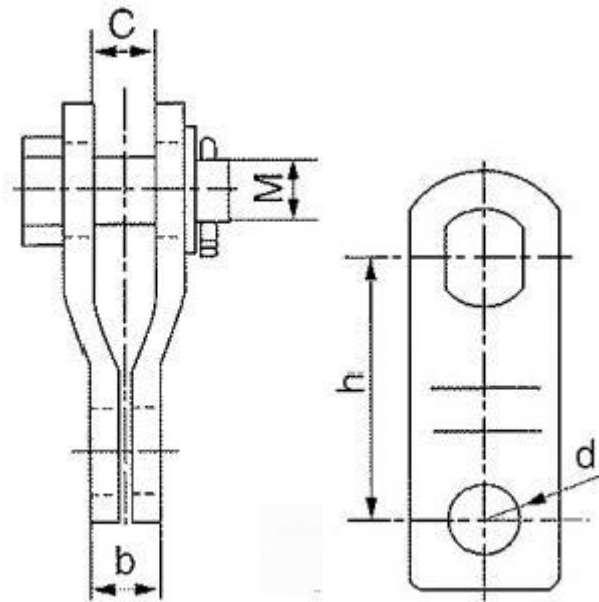
The cotter pin is stainless steel, the other parts are hot-dip galvanized steel.



Catalog No.	Dimensions(mm)					Rated Failure Load (kN)	Weight(kg)
	b	C	M	h			
P-7	6	18	16	60	70	0.6	
P-10	8	20	18	70	100	0.9	
p-12	10	24	22	80	120	1.5	
P-16	12	26	24	90	160	2.4	
P-20	14	30	27	120	200	4.1	
P-2018	14	30	27	180	200	5.1	
P-2024	14	30	27	240	200	6	
P-2030	14	30	27	300	200	6.9	
P-2036	14	30	27	360	200	7.8	
P-2042	14	30	27	420	200	8.7	
P-2048	14	30	27	480	200	9.7	
P-2054	14	30	27	540	200	10.6	
P-30	16	38	36	120	300	4.7	
P-3018	16	38	36	180	300	6.1	
P-3024	16	38	36	240	300	7.3	
P-3030	16	38	36	300	300	8.4	
P-3036	16	38	36	360	300	9.1	
P-3042	16	38	36	420	300	10.9	
P-3048	16	38	36	480	300	12.3	
P-3054	16	38	36	540	300	13.3	
P-5012	18	44	42	120	500	10.7	
P-5018	18	44	42	180	500	11.2	
P-5020	18	44	42	200	500	11.8	
P-5024	18	44	42	240	500	12.2	
P-5026	18	44	42	260	500	12.6	
P-5030	18	44	42	300	500	13	
P-5036	18	44	42	360	500	13.5	
P-5042	18	44	42	420	500	14	
p-5048	18	44	42	480	500	14.6	
P-5054	18	44	42	540	500	15.2	
P-60135	22	50	48	135	600	16.6	

Clevises (Type PS)

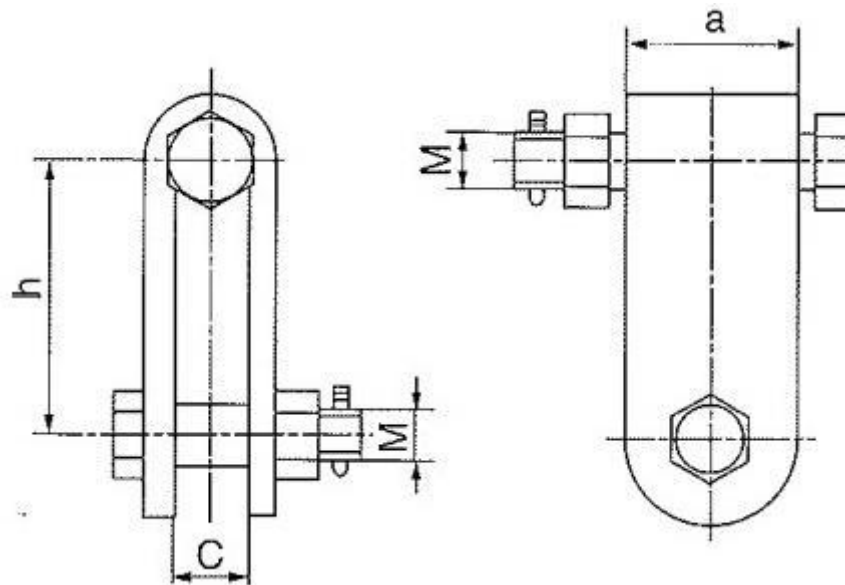
The collar pin is stainless steel, the other parts are hot-dip galvanized steel.



Catalog No.	Dimensions(mm)					Rated Failure Load(kN)	Weight(kg)
	C	b	M	d	h		
PS-7	18	16	16	20	90	69	0.6
PS-30	38	32	36	39	150	294	5.9

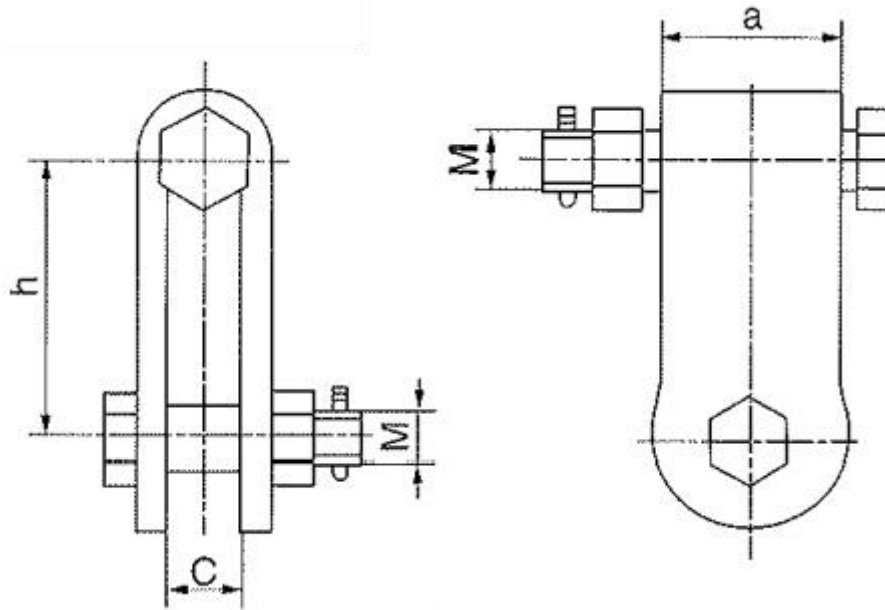
Clevis Hinges (Type UB)

The cotter pin is stainless steel, the other parts are hot-dip galvanized steel.



Catalog No.	Dimensions (mm)				Rated Failure Load(kN)	Weight(kg)
	C	M	h	a		
UB-7	18	16	70	45	70	0.8
UB-10	20	18	80	45	100	1.1
UB-12	24	22	100	60	120	2.8
UB-16	26	24	100	60	160	2.9
UB-16G	24	20	90	48	160	2.9
UB-20	30	27	120	72	200	3.6

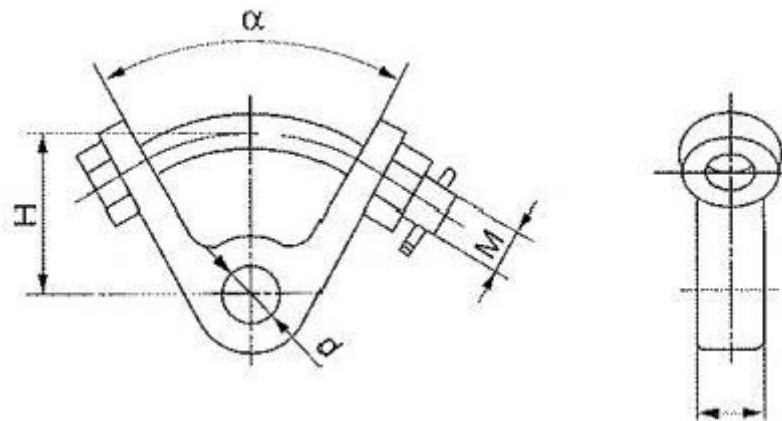
The cotter pin is stainless steel, the other parts are hot-dip galvanized steel.



Catalog No.	Dimensions (mm)				Rated Failure Load(kN)	Weight(kg)
	C	M	h	a		
UB-6-1	20	16	65	30	60	0.8
UB-9.1	26	18	75	40	90	0.8
UB-20T	30	27	120	60	200	2.5
UB-30T	36	36	150	60	300	3.7

Clevis Eyes (Type V&VD)

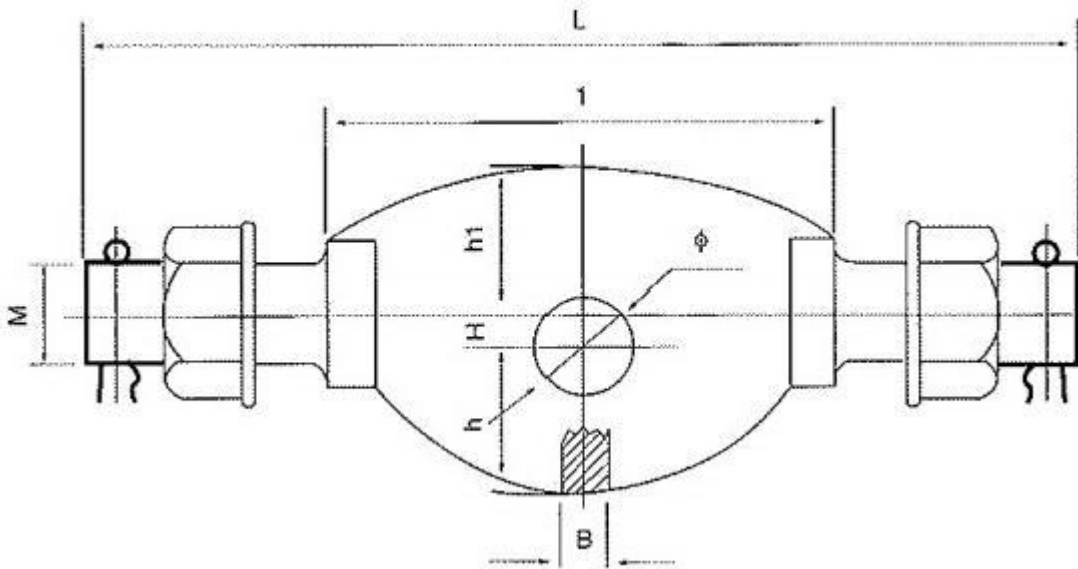
The cotter pin is stainless steel, the other parts are hot-dip galvanized steel.



Catalog No.	Dimensions(mm)					Rated Failure Load(kN)	Weight(kg)
	d	M	b	H	a		
V-7	18	20	40	75	60°	70	1.8
VD-7	18	20	28	75	60°	70	1.4

Clevis Hings (Type GD)

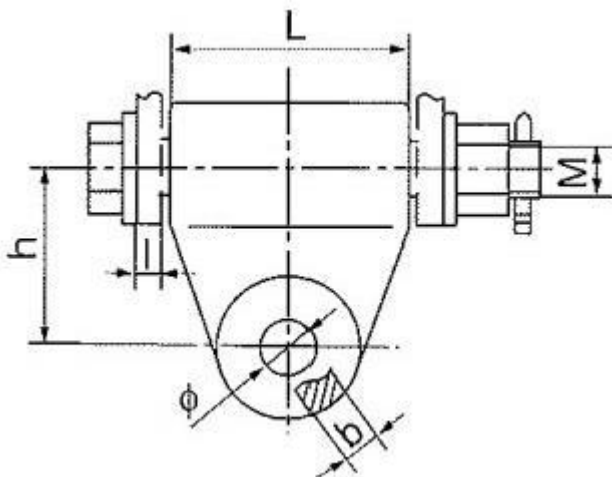
The cotter pins are bronze, the other parts are hot-dip galvanized steel.



Catalog No.	Dimensions (mm)								Rated Failure Load(KN)	Weight(Kg)
	L	l	ϕ	M	H	B	h	h1		
GD-12S	250	112	24	22	12	16	40	35	120	1.7
GD-21S	250	112	26	24	12	20	40	35	210	2.1
GD-32S	258	112	33	30	12	28	40	36	320	3.6
GD-42S	278	130	39	36	12	32	45	36	420	4.2
GD-50S	278	130	39	36	12	32	48	50	500	4.6
GD-12	240	112	24	22	30	18	30	35	120	1.35
GD-21	235	112	30	24	8	22	35	35	210	1.8
GD-30	264	112	33	30	12	30	46.5	35	300	3.3
GD-50	264	112	44	36	12	34	50	40	500	6
GD-60	290	112	50	42	16	42	50	46	600	6.5

Tower-connecting Hinges (Type LT&EB)

The cotter pin is stainless steel, the other parts are hot-dip galvanized steel.



Catalog No.	Dimensions(mm)	Rated Failure	Weight(kg)
-------------	----------------	---------------	------------

	b	①	h	M	L		Load(kN)	
LT-16	18	26	100	24	80	20	160	3.5
LT-30	32	39	100	36	80	25	300	6.8
EB-50D	34	39	125	36	116	25	500	13
EB-70	38	45	125	42	136	26	700	14.4
EB-70A	38	45	150	64	195	30	700	29.9
EB-70B	42	51	150	64	195	30	700	29.7
BB-70C	38	45	125	42	116	28	700	13.3