

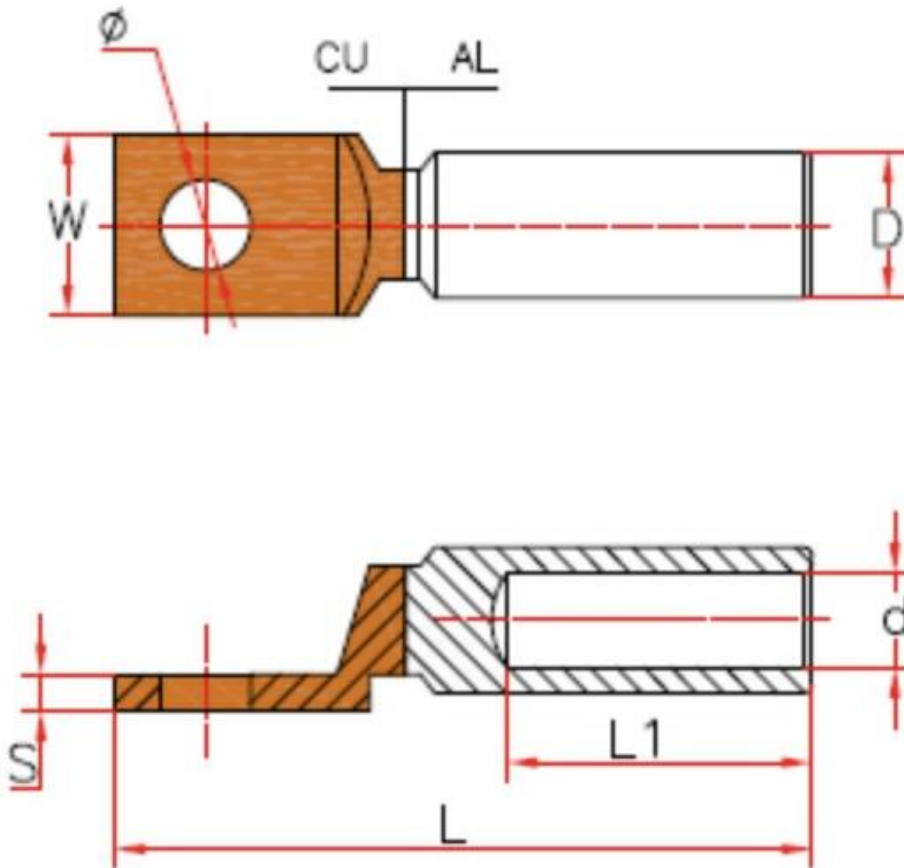
Products Description

This tubular lug is designed to connect cable.

It is made of tinned copper (by electrolysis).

It is manufactured with an inspection hole and socketing.

This lug meets the requirement of the NFC 20-130 standard.



Modle	Dimensions		
	L	d	φ
UNI 6-5	30.5	30.5	5.3
UNI 6-6	31.5	3.8	6.4
UNI 6-8	34	3.8	8.4
UNI 10-5	34	4.5	5.3
UNI 10-6	34.5	4.5	6.4
UNI 10-8	37	4.5	8.4
UNI 16-6	43.5	5.5	6.4
UNI 16-8	46	5.5	8.4
UNI 16-10	48	5.5	10.5
UNI 16-12	49	5.5	13
UNI 25-6	45.5	7	64
UNI 25-8	48	7	8.4
UNI 25-10	50	7	10.5
UNI 25-12	51	7	13

UNI 35-6	49.5	8.4	6.4
UNI 35-8	52	8.4	8.4
UNI 35-10	54	8.4	10.5
UNI 35-12	55	8.4	13
UNI 35-14	56.5	8.2	15
UNI 50-8	62	10	8.4
UNI 50-10	64	10	10.5
UNI 50-12	65	10	13
UNI 50-14	66.5	10	15
UNI 50-16	68	10	17
UNI 70-8	65	11.5	8.4
UNI 70-10	67	11.5	10.5
UNI 70-12	68	11.5	13
UNI 70-14	69.5	11.5	15
UNI 70-16	71	11.5	17
UNI 95-8	77	13.5	8.4
UNI 95-10	77	13.5	10.5
UNI 95-12	78	13.5	13
UNI 95-14	79.5	13.5	15
UNI 95-16	81	13.5	17
UNI 120-10	85	15.5	10.5
UNI 120-12	86	15.5	13
UNI 120-16	89	15.5	17
UNI 120-20	91	15.5	21
UNI 150-10	93	17	10.5
UNI 150-12	94	17	13
UNI 150-14	97	17	15
UNI 150-16	97	17	17
UNI 150-20	99	17	21
UNI 185-10	97	19	10.5
UNI 185-12	98	19	13
UNI 185-14	101	19	15
UNI 185-16	101	19	17
UNI 185-20	103	19	21
UNI 240-12	108	21.5	13
UNI 240-14	111	21.5	15
UNI 240-16	111	21.5	17
UNI 240-20	113	21.5	21
UNI 300-14	119	24.5	15
UNI 300-16	119	24.5	17
UNI 300-20	122	24.5	21
UNI 400-14	140	27.5	15
UNI 400-16	140	27.5	17
UNI 400-20	140	27.5	21

UNI 500-16	150	31	17
UNI 500-20	150	31	21
UNI 630-16	160	34.5	17
UNI 630-20	160	34.5	21
UNI 800-16	195	40	17
UNI 800-20	195	40	21
UNI 1000-16	195	44	17
UNI 1000-20	195	44	21